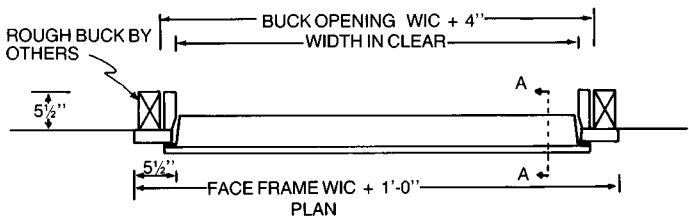
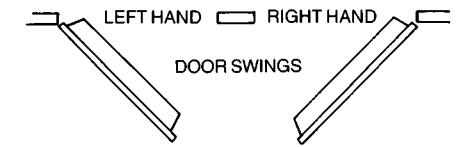
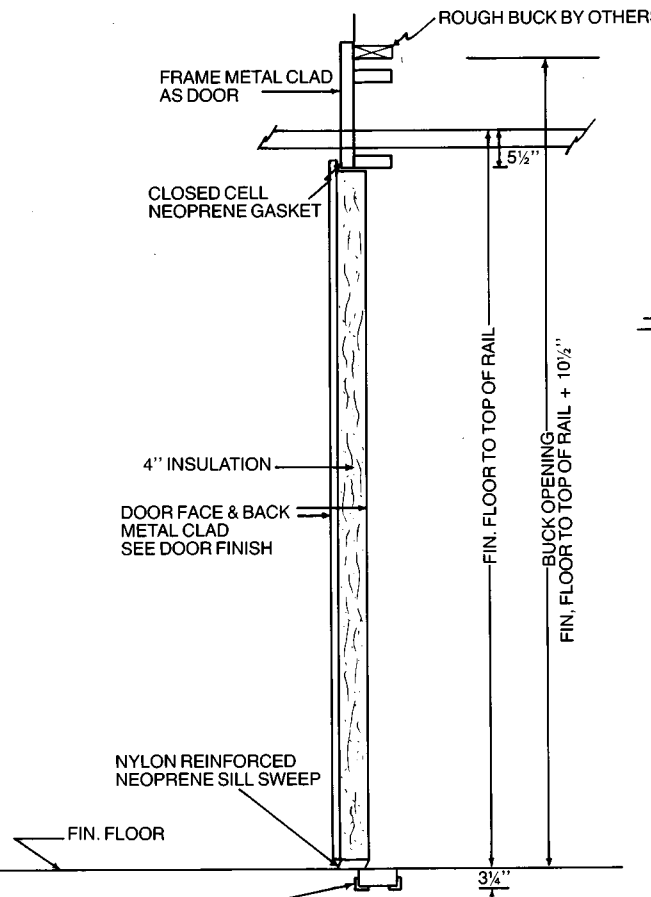
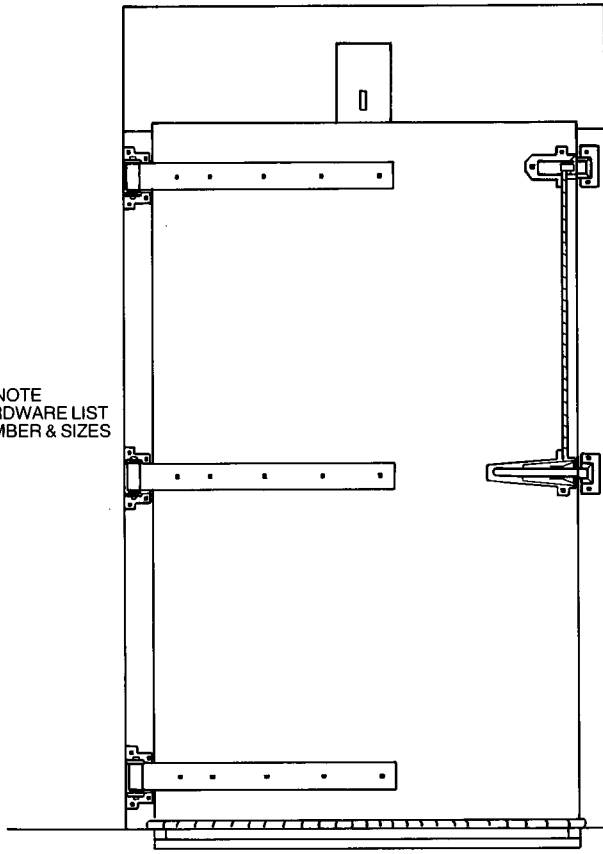


NOTE  
SEE HARDWARE LIST  
FOR NUMBER & SIZES



HARDWARE LIST	
HINGE	
LATCH	

NOT TO SCALE

DRAWING IS FOR GENERAL ARRANGEMENT ONLY.  
DIMENSIONS SUBJECT TO CHANGE WITHOUT NOTICE.

DATE	REVISIONS

**EUREKA SERIES 3400 COOLER TRACK DOOR**

**NORTHERN EUREKA REFRIGERATION CO. LTD.**  
**TORONTO, ONTARIO CANADA**

CUSTOMER:		P.O. NO.		DR.						
PROJECT:		W.O. NO.		APD.						
		DATE		DATE						
DOOR NO.	QTY.	W.I.C.	H.I.C.	SWING	SILL TYPE	BUCK OPENING WIDTH	BUCK OPENING HEIGHT	DOOR FINISH	GA.	SOLD SEAMS

DWG. NO.

3421 -