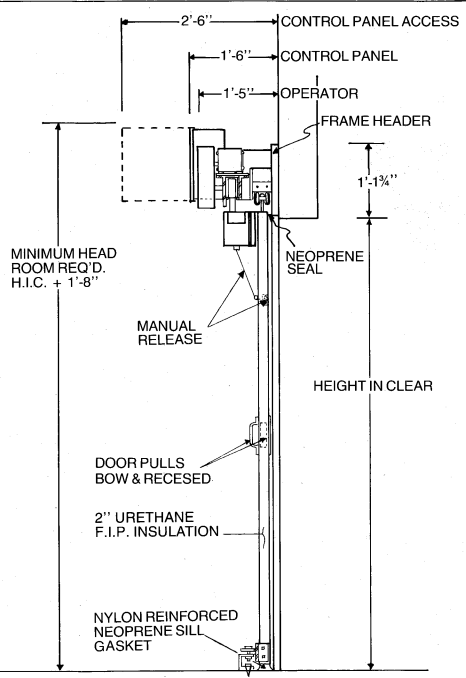


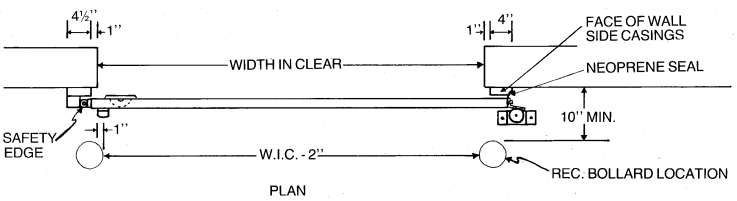
ELEVATION

RIGHT SLIDE TO OPEN SHOWN
LEFT SLIDE MIRROR IMAGE



SECTION

NOTE
DOORS LARGER THAN 8'-0" x 8'-0"
MAY BE MADE IN TWO PIECES
FOR FIELD ASSEMBLY.



PLAN

DRAWING IS FOR GENERAL ARRANGEMENT ONLY.
DIMENSIONS SUBJECT TO CHANGE WITHOUT NOTICE.

NOT TO SCALE

FOR JOB		P.O. NO.		W.O. NO.		DATE		
DOOR NO.	QTY.	W.I.C.	H.I.C.	SLIDE TO OPEN	VOLTAGE	ACTUATING CONTROLS	DOOR & FRAME FINISH	GA.

EUREKA DOOR MODEL SSE-2-C

**NORTHERN EUREKA REFRIGERATION
CO. LTD.
TORONTO, ONTARIO CANADA**

REVISIONS		
DATE	SYM	DESCRIPTION

DWG. NO. 8301-